



# NA - 1DXII

Underwater Camera Housing  
Instruction manual



# Foreword

Thank you for your purchase of a NAUTICAM digital camera housing.

At NAUTICAM, we pride ourselves in the ability to recognise the requirements of professional as well as amateur underwater photographers and fulfill them through the innovative designs of our products. We strive to achieve a high level of user-friendliness by allowing stress-free installation and easy operation of all important functions of the camera.

Each housing is individually inspected and water pressure tested to ensure optimum quality.

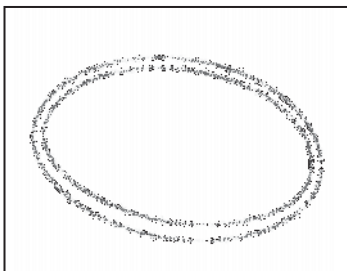
Please read this manual carefully before using the housing, this will maximise its performance as well as its lifetime.

# Warranty

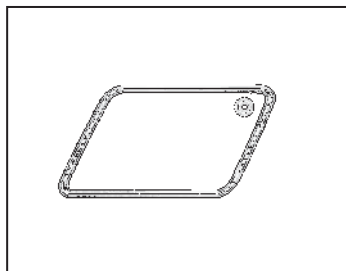
1. All NAUTICAM Products are warranted against any material and manufacturing defects for two years from the date of purchase for consumer use. Please fill in the warranty cards shipped with our housings and viewfinders at the time of sale and return them to your point of purchase within a month. If we do not receive the completed warranty card for a particular product, the warranty period would be assumed to begin from the day that the product is shipped from our facility. This warranty only applies to products purchased from authorised NAUTICAM dealers and does not extend beyond the original retail purchaser.
2. To return your product for service, please contact your regional authorized service centre(s). Please note that this warranty only applies when the product is purchased in the territory where the service centre is located.
3. NAUTICAM accepts no liability for any damage to and defects in the housing caused by improper use and/or poor maintenance; it is the responsibility of the owner to carefully follow the instructions in our manuals.
4. NAUTICAM does not hold responsibility for damage, of any nature, to any equipment used with and/or placed within our products.
5. NAUTICAM accepts no liability for any loss of captured images or the inability to capture images even if it is due to the malfunctioning of our products.
6. Unauthorised modifications and/or repairs of our products will automatically invalidate the warranty.

# Package Contents

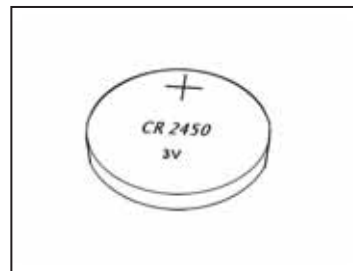
1. NA-1DXII housing
2. Instruction manual
3. Spare silicone rubber main o-ring
4. O-ring remover
5. CR2450 battery (for moisture alarm)
6. Lubricant
7. Set of Allen keys
8. Canon hotshoe plug to dual Nikonos connectors\* (x and ground connection only)



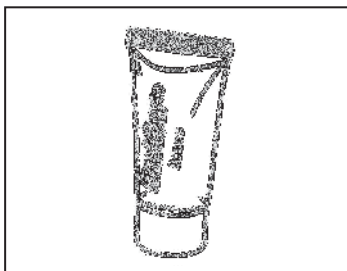
Spare silicone rubber o-ring



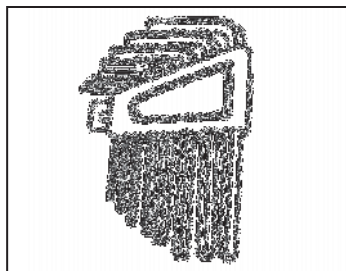
O-ring remover



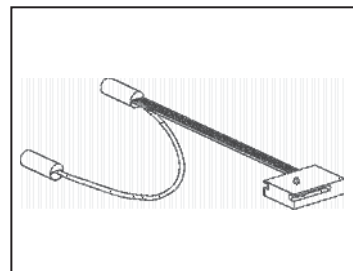
CR2450 battery



Lubricant



Set of Allen keys



Canon hotshoe plug

# Precautions

1. A water-tight test without the camera inside the housing is highly recommended when using the system for the first time and after the changing of port and O-ring(s).
2. Do not use lubricants from other brands with the silicone rubber O-ring on this housing, only use the lubricant provided by NAUTICAM.
3. Discontinue use immediately should you notice any leakage.
4. Store the housing in a robust, shock-proof container during transportation; avoid transporting with any equipment, such as a camera, inside the housing.
5. When travelling by air, do not close the housing if the port is installed, as this may lead to a pressure difference between the atmosphere and inside the housing.
6. Care must be taken when opening the housing, as pressure may build up inside the housing which increases the opening force.
7. Do not open the product in a wet or sandy environment. Protect the interior from moisture and debris in order to prevent malfunction or leakage.
8. Do not store the product in an environment of high humidity.
9. Do not leave the housing and the camera in direct sunlight for prolonged periods.
10. Keep out of reach of children, failure to do so could result in injury.
11. Defective products should be shipped to our distributors for service, unauthorized disassembling and/or modifications could result in malfunction or leakage.

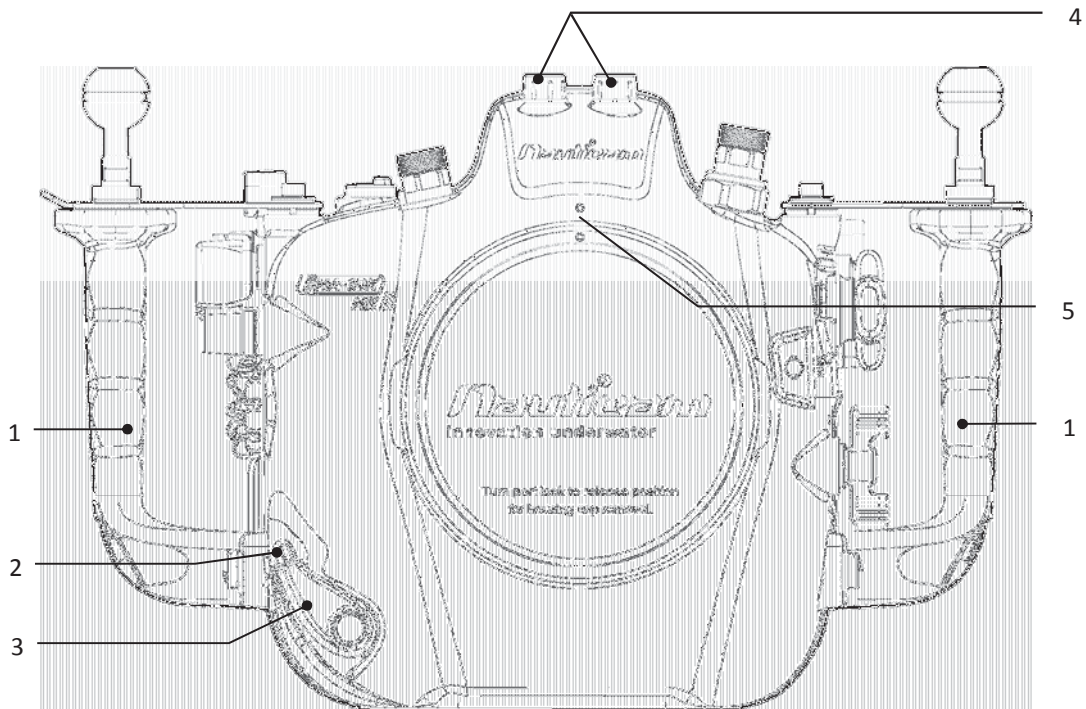
# Table of Contents

<i>Specifications</i>	6
<i>Identification of Parts</i>	7
<i>Opening and Closing the Housing</i>	11
<i>Preparation of the Housing</i>	12
<i>Installing the Camera</i>	17
<i>Mounting the Port</i>	19
<i>Changing the Viewfinder</i>	21
<i>Care and Maintenance</i>	22

# Specifications

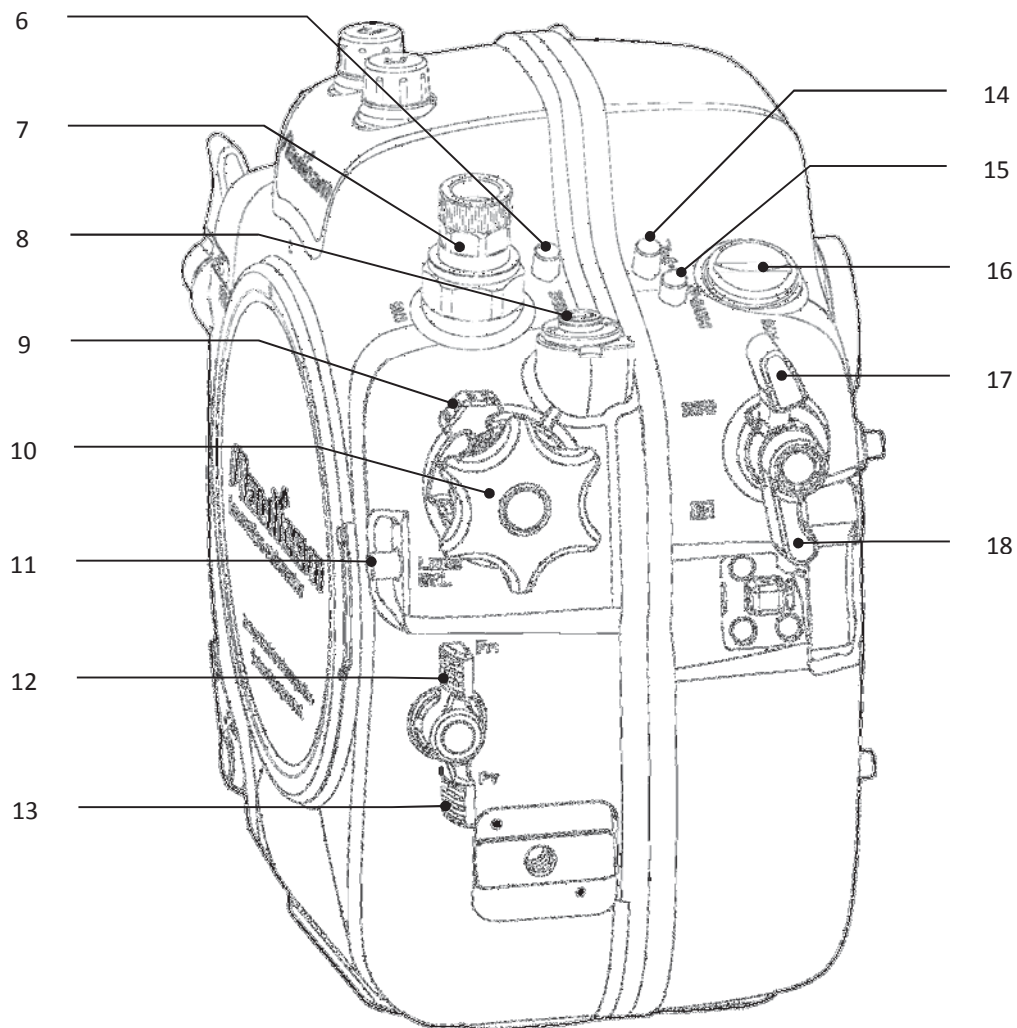
Construction	Housing body:	Aluminium alloy
	Surface treatment:	Hard anodised
	Display window:	Abrasion resistant polycarbonate
	Grip handles:	Polycarbonate and rubber
Dimensions (with handles)	Width:	366mm
	Height:	237mm
	Depth:	143mm
Weight	Approx. 3.32kg (without camera)	
Buoyancy	Slightly negative	
Depth rating	100 metres	
Features	Moisture alarm:	Blinking LED and audible alarm
	Viewfinder:	0.66X viewfinder
	Flash capability:	Two Nikonos 5-pin bulkheads (Trigger and Ground connected only)
		Two optical bulkheads utilising Nauticam Flash Trigger (optional)
	Port mount:	Patented port locking lever for easy port installation.
	Multi-controller pad:	Allows easy control to the up/ down/ left/ right functions.
	Piano keys:	Specially designed for ease of access to the SET and Quick Control buttons
	Fn and Pv levers	Allows easy access to the Fn and Pv buttons on left handle.

# Identification of Parts

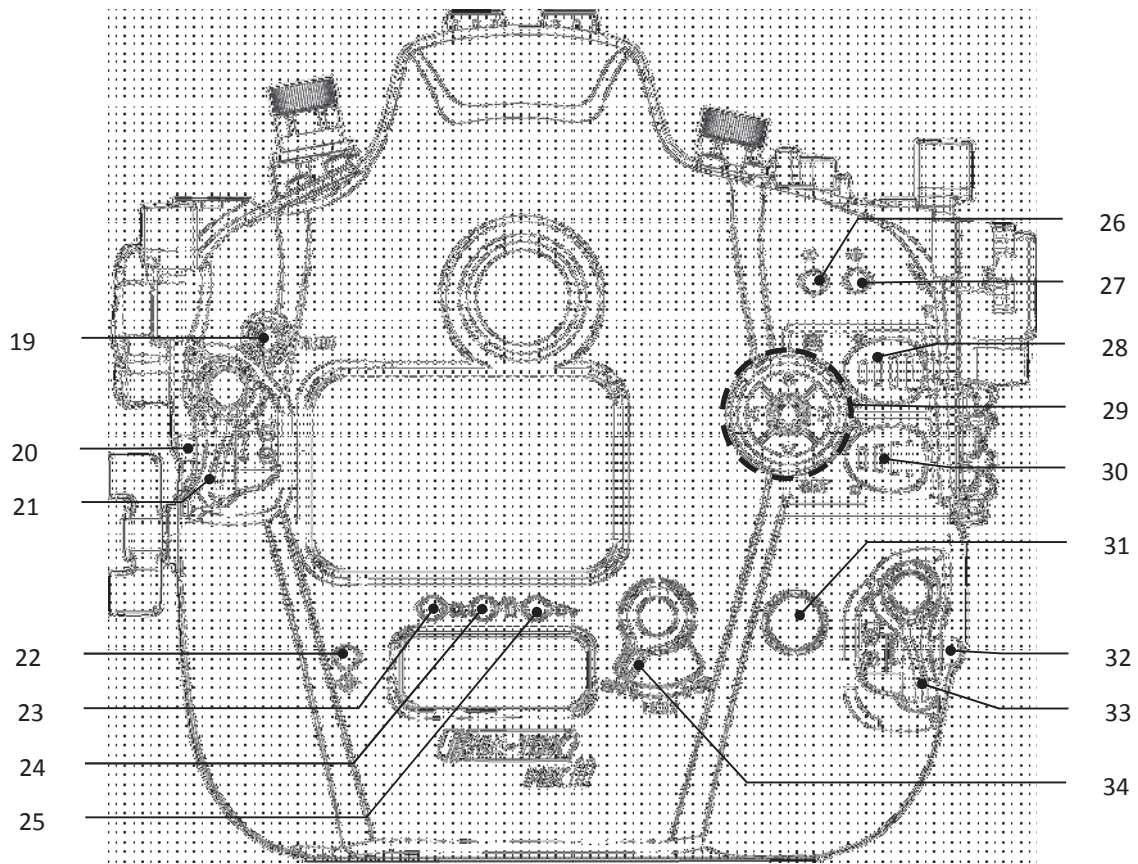


1	Grip handle x 2	4	Optical bulkhead for strobe connections x 2
2	Port lock/release safety button	5	Port alignment index
3	Port lock/release lever		

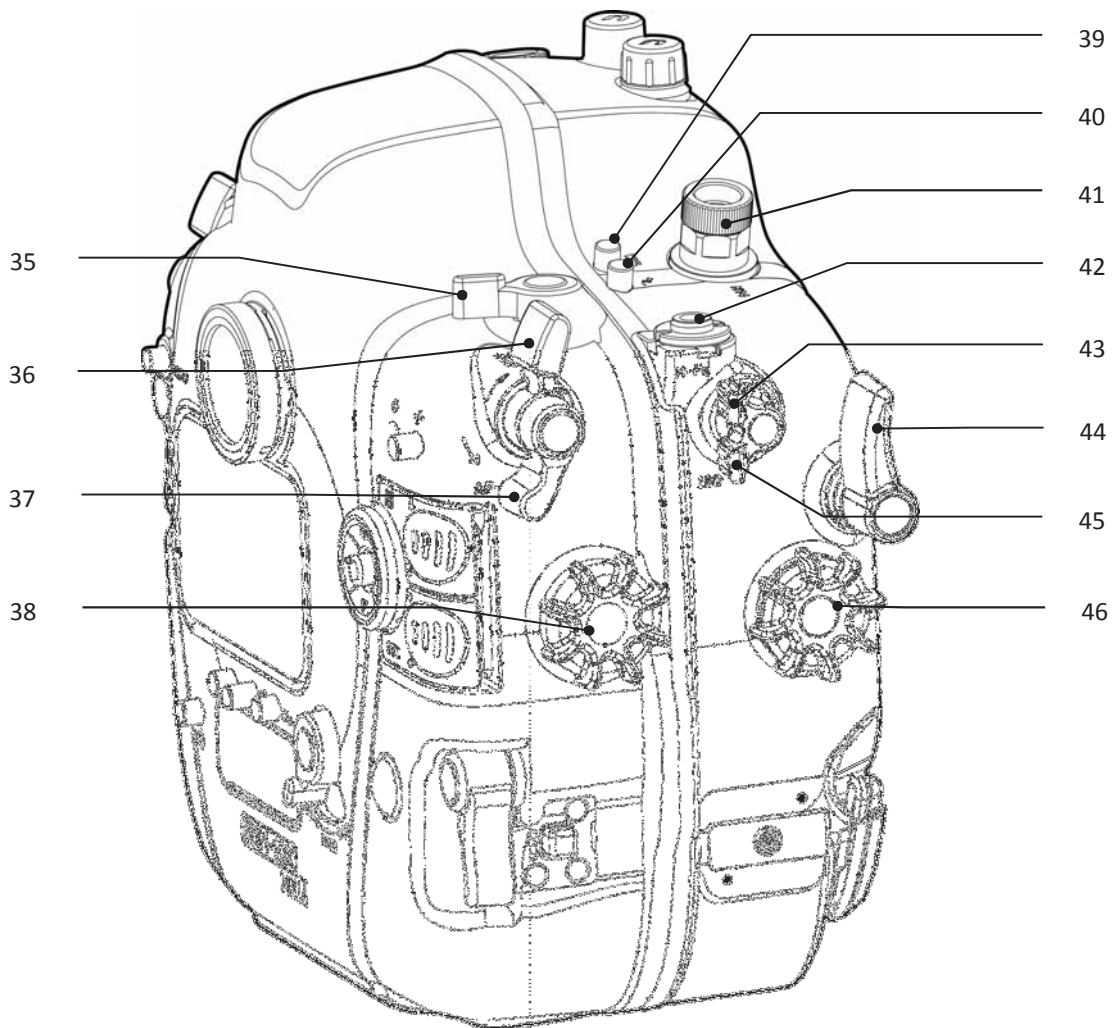




6	Mode dial	13	Pv lever
7	Nikonos 5-pin bulkhead with M16 to M14 step down adaptor	14	Metering mode selection/Flash exposure compensation button
8	M5/ M10 threaded hole	15	AF mode selection/Drive mode selection button
9	Zoom/ focus gear disengagement lever	16	M16 optional accessory port
10	Zoom/focus knob	17	Info lever
11	Lens release button	18	Playback lever
12	Fn lever		



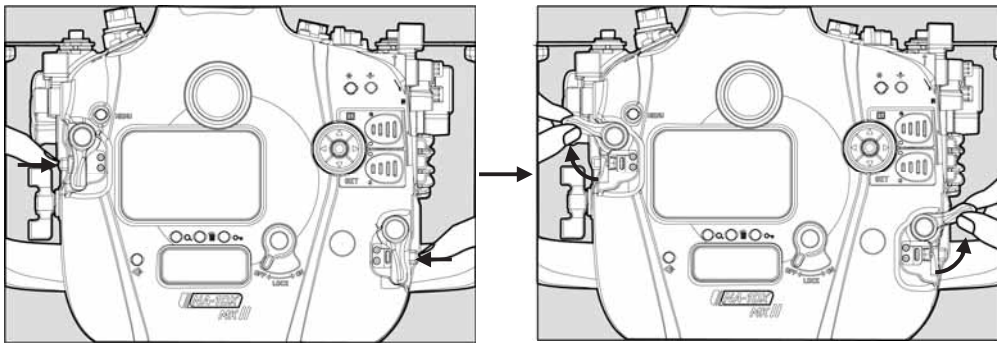
19	Menu button	27	AF point selection button
20	Housing lock safety button (L)	28	Quick control button
21	Housing lock (L)	29	Multi-controller
22	Card/Image size selection button	30	SET button
23	Index/Magnify/Reduce button	31	Moisture alarm window
24	Erase button	32	Housing lock safety button (R)
25	Protect button	33	Housing lock (R)
26	AE lock button	34	On/off lever



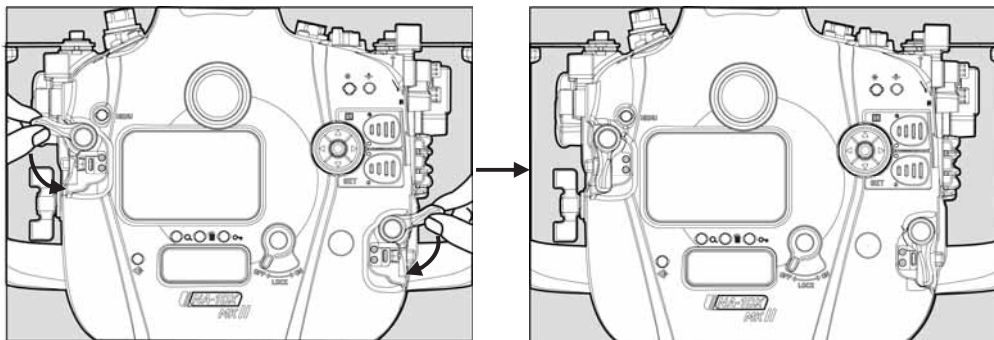
35	Live view shooting/Movie shooting selector	41	Nikonos 5-pin bulkhead
36	Start/stop lever	42	M5/ M10 threaded hole
37	AF-ON lever	43	M-Fn lever
38	Quick control dial	44	Shutter release lever
39	White balance selection button	45	ISO speed setting lever
40	Exposure compensation button	46	Main dial

# Opening and Closing the Housing

1. Always open and close the housing with the front facing down, place the housing on a flat surface or in your lap.
2. When closing, make sure there is nothing caught between the closing surfaces of the two halves of the housing.
3. The housing can be opened and closed by operating the two housing locks; when opening, press the safety buttons, then turn the locks outwards.

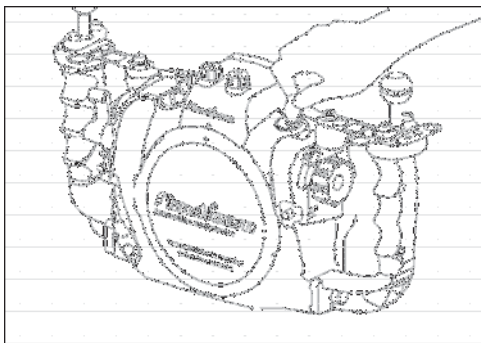


4. To close, turn the locks towards the housing, and then make sure they are locked in place securely.

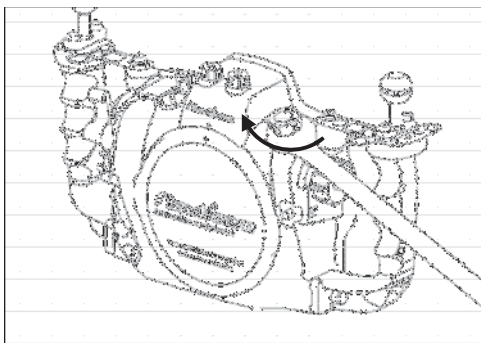


# Preparation of the Housing

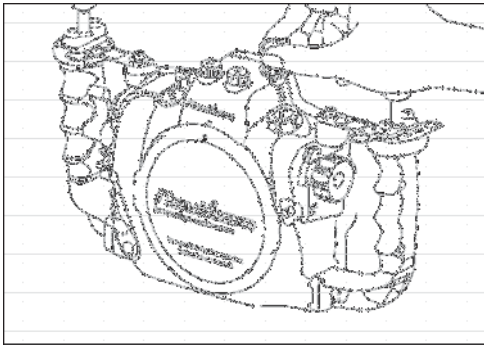
1. After verifying that the main O-ring is in good condition, lightly coat it with the lubricant provided.
2. Make sure the O-ring groove located in the front part of the housing is free from any foreign material; the groove can be cleaned with the aid of a microfiber cloth.
3. Place the main O-ring into the groove by gently pushing it, first at the corners, then the whole perimeter.
4. (Optional) If necessary, spacers (25011) can be used to increase space between the grip handles and the housing; A pair of small handles (28123) is also available to decrease space between the grip handles and the housing.
5. To install the electrical bulkhead (Pre-installed):



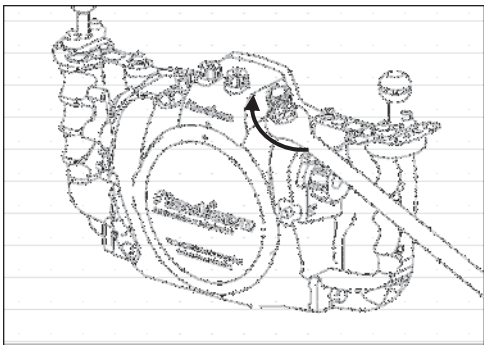
- i. Remove the M14/M16 plug from the threaded hole with a coin.



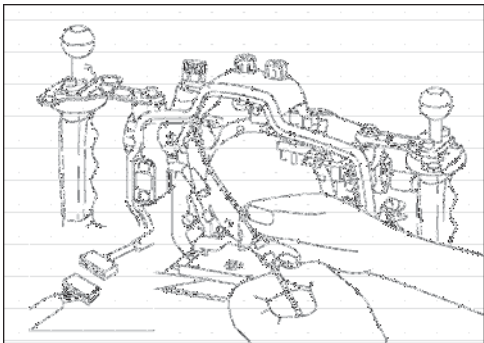
- ii. Install the M16 to M14 step down adaptor (25019) with a spanner.  
(When installing from M16 accessory hole)



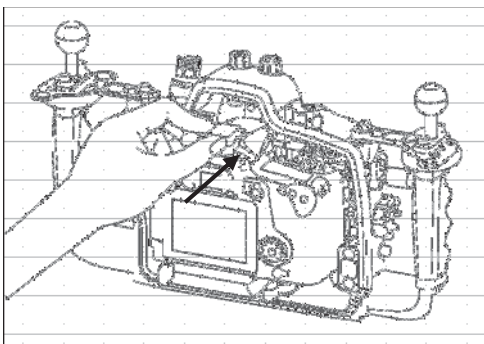
- iii. Insert the electrical bulkhead through the threaded hole.



- iv. Tighten the electrical bulkhead with a spanner.

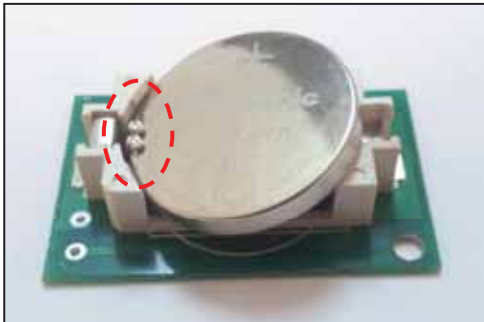


- v. Connect the electrical bulkhead to the accessory shoe plug.



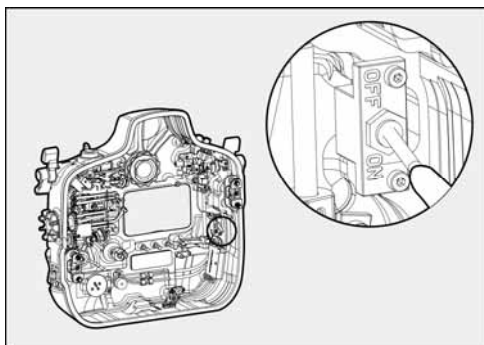
- vi. Slide the accessory shoe plug of the housing into the accessory shoe of the camera.

## 6. Setting up the moisture alarm:

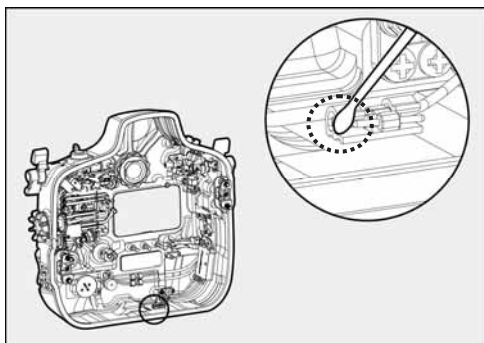


1. Install the CR2450 battery provided into the battery compartment inside the rear housing.

To remove the battery, use a small flat-head screwdriver to lift up the battery as shown.



2. Switch the alarm on. The LED light will turn blue for five seconds indicating the battery is normal. Then it goes into flashing blue light standby mode.



3. Test the alarm by contacting the two wires near the bottom of the housing with a damped cotton bud; the alarm should start giving out a repeating “beep” sound along with a flashing red light. The “beep” sound and the light should keep on going for 5 seconds after the removal of the damped cotton bud.

(Optional) Vacuum valve can be attached to the housing via one of the accessory port for conducting a vacuum seal test. Please refer to the manual of the vacuum valve for more details of the operation.

LED status identification:

On start up:

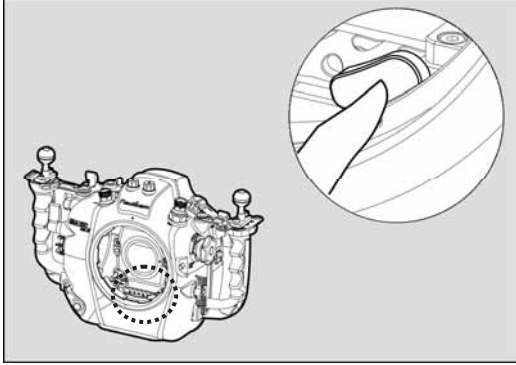
<b>LED indicator</b>	<b>Status</b>
Flash "Blue" light once	Indicates a 2nd generation PCB
Steady "Blue" light	Battery is normal, goes into flashing "Blue" light standby mode after 5 seconds.
"Blue" and "Red" lights alternating	Battery low. Replace battery as soon as possible. Goes into standby mode after 5 seconds.
Steady "Red" light	Battery empty, replace battery.

After start up:

<b>LED indicator</b>	<b>Status</b>
Flashing "Blue" light	Standby mode. The moisture alarm is active, and the system is ready for vacuum indication whenever a vacuum is detected.
Flashing "Red" light with beeping sound	Moisture is detected.
Flashing "Yellow" light	Some vacuum is detected, target vacuum level is not reached.
Steady "Green" light	Target vacuum level is reached.
Rapidly flash "Yellow" light	Vacuum is dropping. (Will occur only after target vacuum level is reached)
Rapidly flashing "Red" light	Vacuum is totally lost. Circuit stalled until switched off. (Will occur only after target vacuum level is reached)

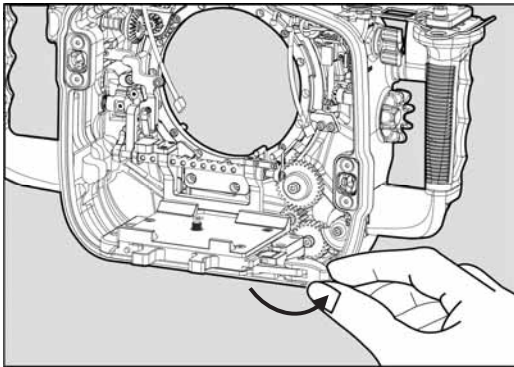


*To reset when changing port/lens:*

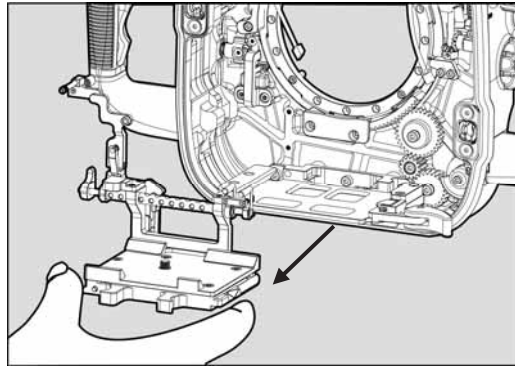


1. Release vacuum.
2. Remove the port and lens from the housing and camera.
3. Press the BLUE lever once to reset the system. The LED light will turn blue for five seconds then it goes into flashing blue light standby mode.

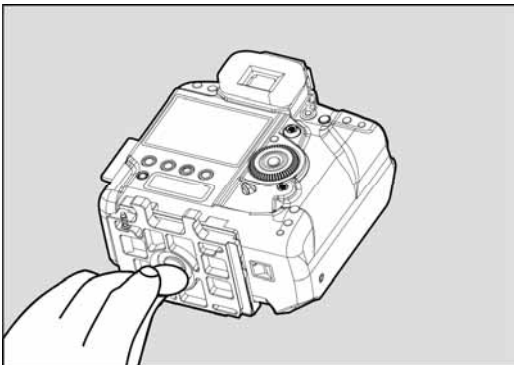
# Installing the Camera



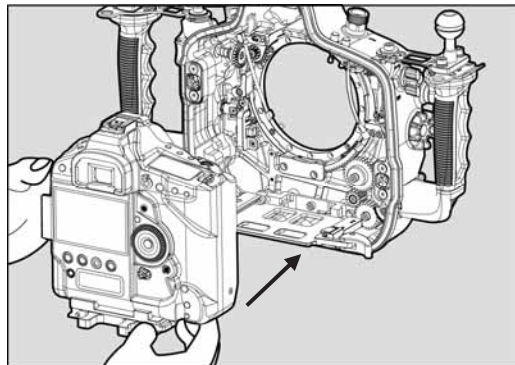
1. Turn the locking lever on the tray of the housing to the “open” position.



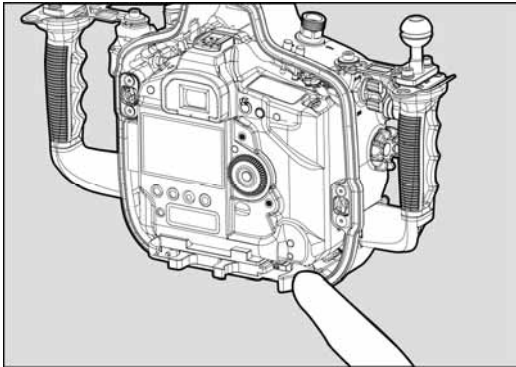
2. Remove the camera saddle from the housing..



3. Attach the saddle to the camera by tightening the screw to the tripod socket of the camera with a screwdriver or a coin.



4. Mount the camera by sliding the attached saddle along the rail in the housing until it cannot go in any further.

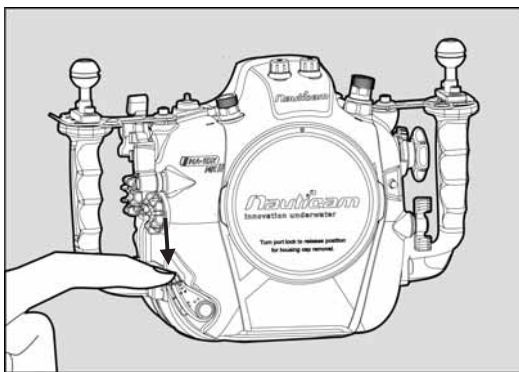


5. Lock the camera into place by turning the locking lever to the “lock” position.
6. Confirm that all the controls of the housing are correctly engaged.
7. For removal of the camera from the housing, reverse the above procedures.

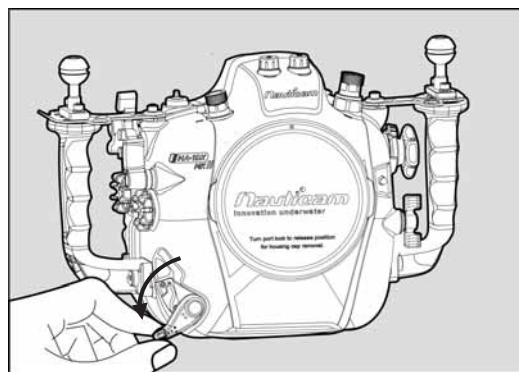
# Mounting the Port

Please refer to the NAUTICAM port system chart for a range of compatible ports; note that extension rings may be needed for certain lenses and adaptors are available for the attachment of ports of other manufacturers.

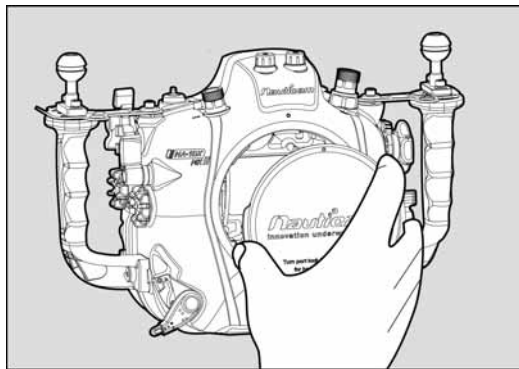
To remove housing cap:



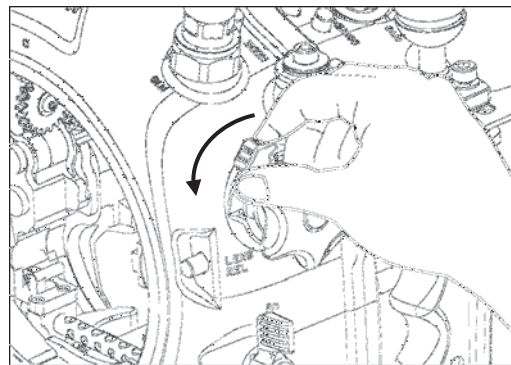
1. Push the safety button of the port locking lever downwards.



2. Turn the port locking lever to the release position as shown.



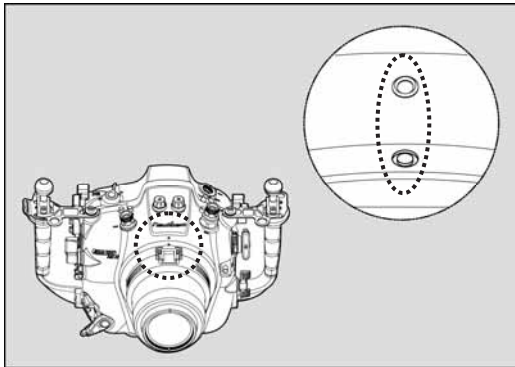
3. Lift housing cap.



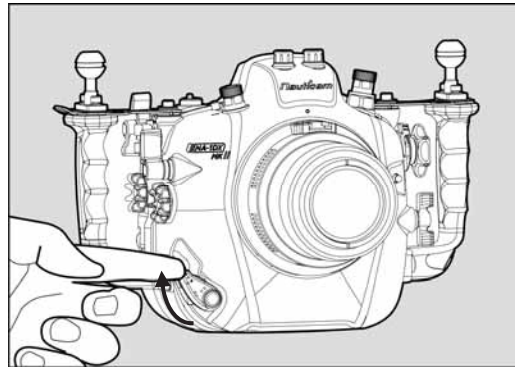
4. Pull down the Zoom/ focus gear disengagement lever before mounting lens (with gears installed) to the camera. Engage the gears by pulling up the lever to the original position. Confirm that the zoom/focus knob operates correctly.

To mount port:

5. Remove the O-ring from the port, inspect for any damage and lightly coat it with the provided lubricant before placing it back into its groove.
6. Verify that the port opening of the housing is clean and free from foreign material.



7. Align the mounting indices of the port and the housing; these appear as white circles on both the port and the housing.
8. Gently push the port into the opening of the housing, until it cannot go in any further.

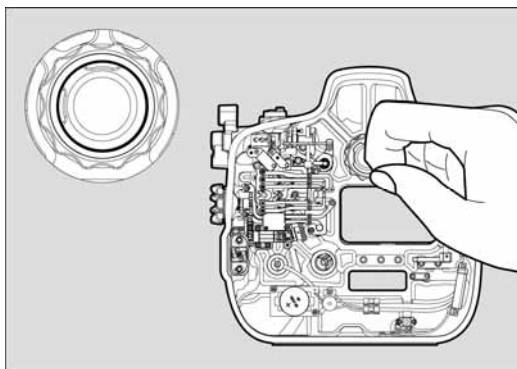


9. Lock the port into place by turning the port locking lever to the inward position. To ensure that the port is securely mounted, confirm that the green line on the safety button of the port locking lever is visible.
10. To remove the port from the housing, simply turn the port locking lever to the outward position and gently pull it out.

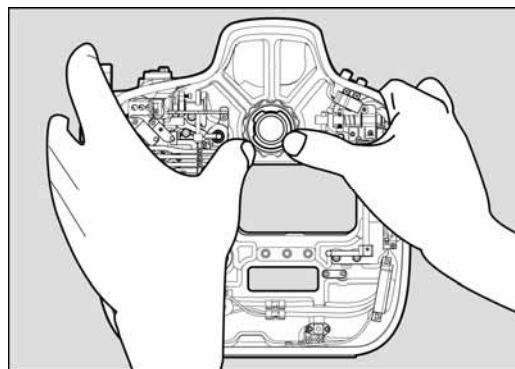
# Changing the Viewfinder

In order that users can change to a preferred viewfinder easily, the 0.66X viewfinder which comes with this housing is designed so that it can be removed and re-installed by following the simple steps described below.

To remove the viewfinder:

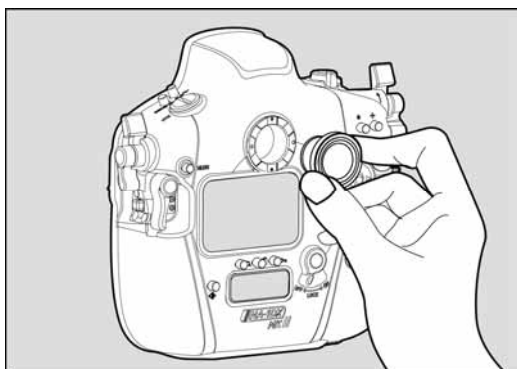


1. Remove the retainer O-ring of the viewfinder inside the rear half of the housing by making use of the recess on the viewfinder.

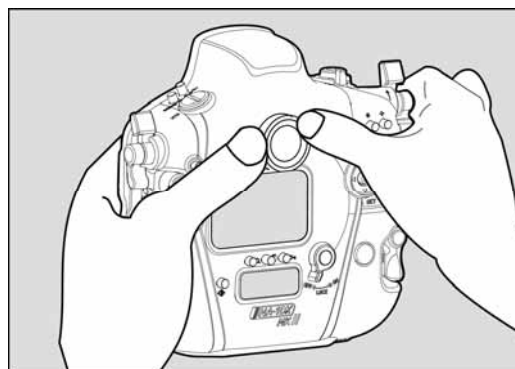


2. Gently push the viewfinder from the inside of the housing.

To re-install the viewfinder:



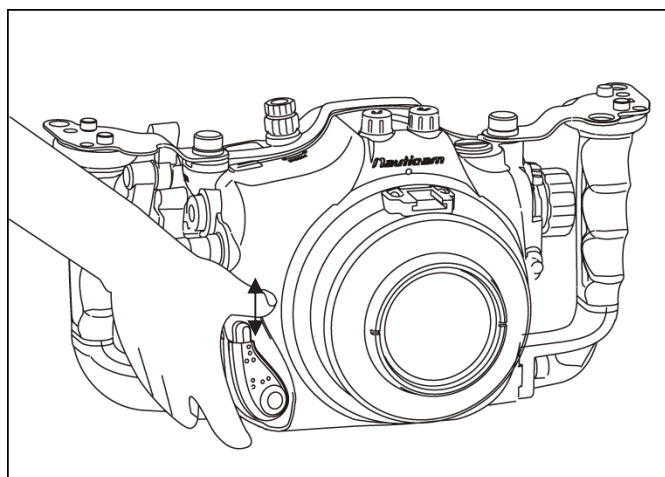
1. Lightly coat the O-rings on the outer periphery of the viewfinder body with lubricant.
2. Align the viewfinder with the sleeve in the display window.



3. Push the viewfinder from the outside of the housing until it cannot go in any further.
4. Place the retainer O-ring of the viewfinder back from inside the housing.

# Care and Maintenance

1. Soak the housing system in fresh water after each salt water use, during which all control buttons/knobs should be operated a few times to avoid the accumulation of salt residue; wipe the housing with a towel before opening.
2. Carefully press the port locking safety button and the two housing lock safety buttons for a few times to avoid the accumulation of salt residue. Hold the port lock in "locked" position while pressing the safety buttons.



3. After each day of diving, it is advisable to have the main O-ring in the front part of the housing removed from its groove with the O-ring remover and inspected for damage. Also check that the O-ring retains its original circular shape; never stretch the O-ring excessively or remove it with a sharp object. The O-ring groove should be cleaned to ensure it is free from any salt deposit or foreign material; lightly coat the O-ring with the provided lubricant before reinstalling it in the groove. A damaged O-ring should be discarded immediately and replaced only with one that is provided by NAUTICAM.
4. Replace the main O-ring annually.
5. It is recommended that you ship the housing to our distributor for a complete overhaul every year or after every 200 dives.

**NAUTICAM International Limited**  
**Room 2203,**  
**CCT Telecom Building,**  
**11 Wo Shing Street,**  
**Fotan, HONG KONG**

**Email: [enquiry@nauticam.com](mailto:enquiry@nauticam.com)**  
**Tel: +852 2690 2711**  
**Fax: +852 2690 9778**

A decorative graphic consisting of several overlapping, wavy, light blue lines that flow from the left side of the page towards the bottom right, partially overlapping the contact information.